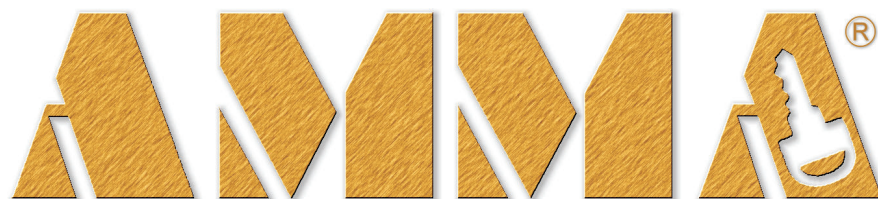
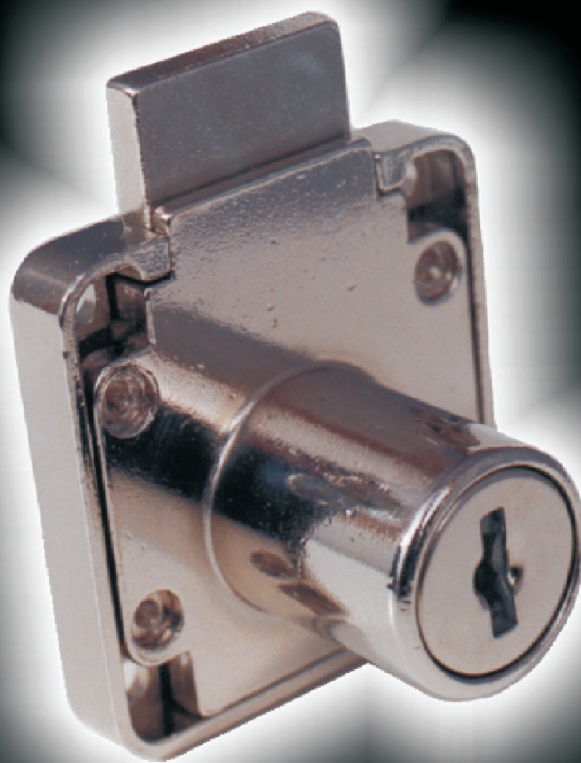


# FURNITURE & CABINET LOCK



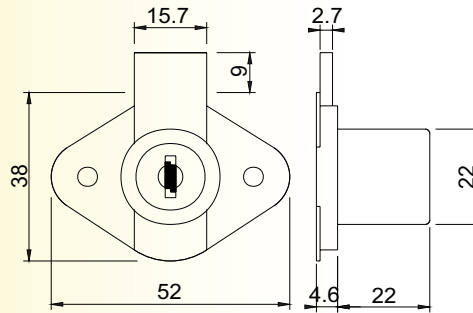
**LOCK HARDWARE**

[Www.ammalocks.com](http://www.ammalocks.com)

## DRAWER LOCK (DIAMOND BACK)

106

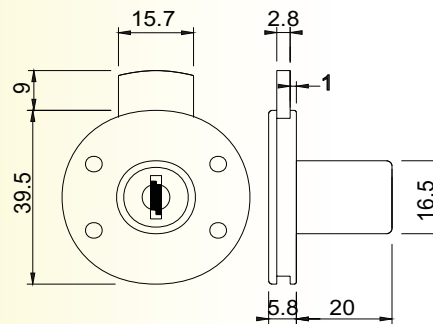
**ITEM NO:** 106  
**MATERIAL:** zinc die cast body & cylinder  
**SECURITY LEVEL:** 5 disc tumbler / wafer  
 100 key changes, K/A, K/D  
**FINISHES:** nickel  
**PACKAGING:** 2 keys  
**SUITABLE FOR:** 7/8" (22mm) thickness  
**DRILL HOLE SIZE:** 7/8" (22mm)  
**DEAD BOLT TRAVEL:** 5/16" (8mm)



## DRAWER LOCK

109

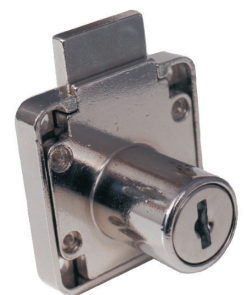
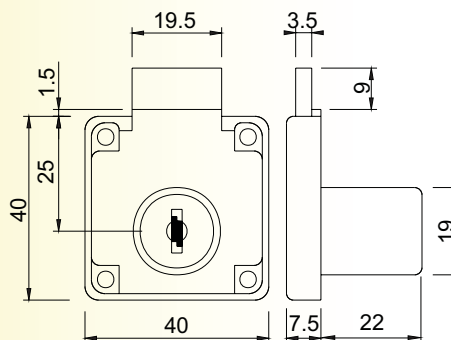
**ITEM NO:** 109  
**MATERIAL:** zinc die cast body & cylinder  
**SECURITY LEVEL:** 5 disc tumbler / wafer  
 170 key changes, K/A, K/D  
**FINISHES:** nickel, black  
**PACKAGING:** 2 brass keys, 1 rosette  
**SUITABLE FOR:** up to 13/16" (20mm) material thickness  
**DRILL HOLE SIZE:** 5/8" (16.5mm)  
**DEAD BOLT TRAVEL:** 5/16" (9mm)



## DEAD BOLT DRAWER/DOOR LOCK

138

**ITEM NO:** 138  
**MATERIAL:** zinc die cast body & cylinder  
**SECURITY LEVEL:** 5 disc tumbler / wafer  
 170 key changes, K/A, K/D  
**FINISHES:** nickel, brass  
**PACKAGING:** 2 brass keys with cylinder ring  
**SUITABLE FOR:** " (13mm) to 15/16" (22mm) material thickness  
**DRILL HOLE SIZE:** " (19mm) without rosette, 13/16" (20mm) with rosette  
**DEAD BOLT TRAVEL:** 5/16" (8mm)

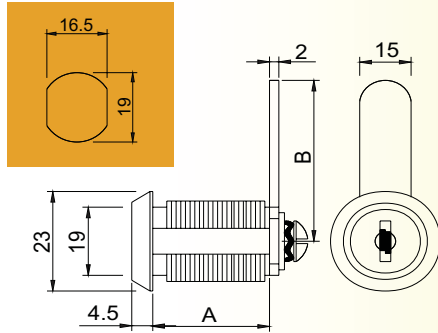


**NOTE:** L-strike plate A1006

103

103-16

103-30



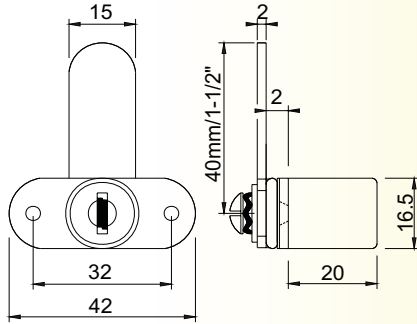
CAM LOCK

**ITEM NO:** 103  
**MATERIAL:** zinc die cast body & cylinder  
**SECURITY LEVEL:** 5 disc tumbler / wafer  
 170 key changes, K/A, K/D  
**LENGTH (A):** 5/8" (16mm) / 1-3/16" (30 mm)  
**FINISHES:** nickel, brass  
**PACKAGING:** 2 brass keys, 1 hexagon nut, 1 cam (for 16mm), 2 cams & washer (for 30mm)  
**SUITABLE FOR:** 16mm- up to 7/16" (11mm)  
 30mm- up to 15/16" (23mm)  
**DRILL HOLE SIZE:** " (19mm)

STEEL CLIP

A1015  
 Can be special order

201

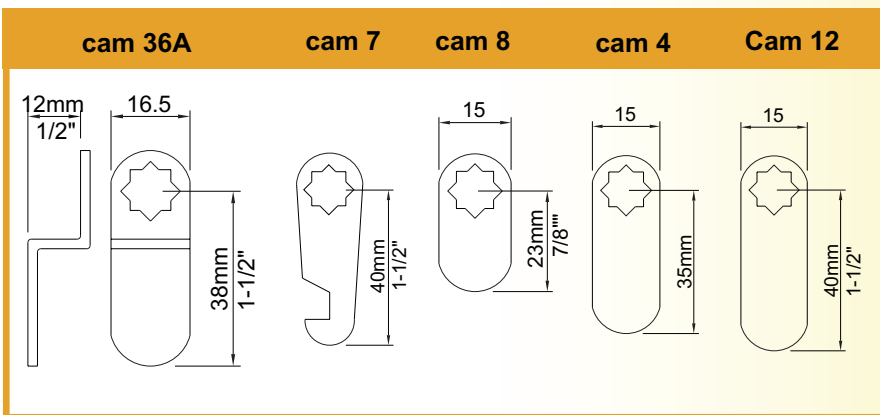


CAM LOCK

**ITEM NO:** 201  
**MATERIAL:** zinc die cast body & cylinder  
**SECURITY LEVEL:** 5 disc tumbler / wafer  
 170 key changes, K/A, K/D  
**FINISHES:** nickel, black  
**PACKAGING:** 2 keys, 1 rosette, 1 cam  
**SUITABLE FOR:** up to 13/16" (20mm) thickness  
**DRILL HOLE SIZE:** 17mm

CAM

CAM PLATE



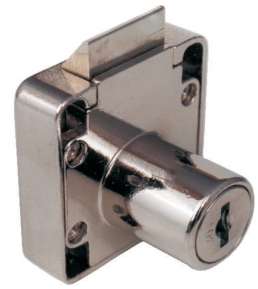
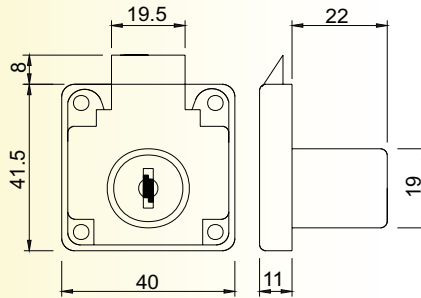
ITEM	DESCRIPTION.	SIZE (LENGTH)
#36A	1/2" offset	1-1/2" (38mm)
#12	straight	1-1/2" (40mm)
#4	straight	1-3/8" (35mm)
#7	straight	1-1/2" (40mm)
#8	straight	7/8" (23mm)

**NOTE:** Length measure to the center of screw  
 custom cam size can be ordered

## SPRING BOLT / SLAM LOCK

128

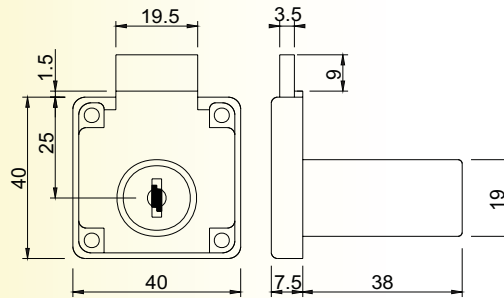
**ITEM NO:** 128  
**MATERIAL:** zinc die cast body & cylinder  
**SECURITY LEVEL:** 170 key changes K/A, K/D  
**FINISHES:** brass, chrome  
**PACKAGING:** 2 keys with 1 strike plate, 1 rosette  
**SUITABLE FOR:** " (13mm) to " (19mm) material thickness  
**DRILL HOLE SIZE:** " (19mm) without rosette, 13/16" (20mm) with rosette  
**SPRING BOLT TRAVEL:** 5/16" (8mm)



## CUPBOARD LOCK

137

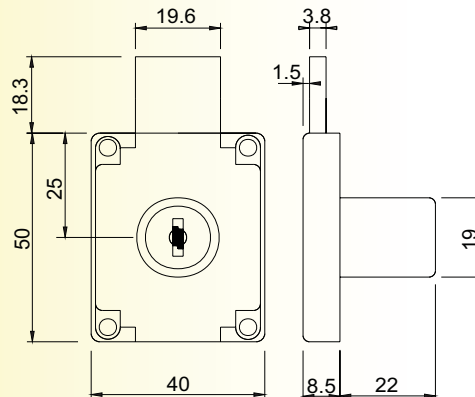
**ITEM NO:** 137  
**MATERIAL:** zinc die cast body & cylinder  
**SECURITY LEVEL:** 5 disc tumbler / wafer  
 170 key changes, K/A, K/D  
**FINISHES:** nickel  
**PACKAGING:** 2 brass keys, 1 cylinder ring  
**SUITABLE FOR:** 1-1/2" (38mm) thickness  
**DRILL HOLE SIZE:** 3/4" (19mm) without rosette, 13/16" (20mm) with rosette  
**DEAD BOLT TRAVEL:** " (9mm)  
**CYLINDER:** length 1-1/16" (26mm) and 1-5/16" (32mm) can be special order



## TWO TURN DRAWER LOCK

139

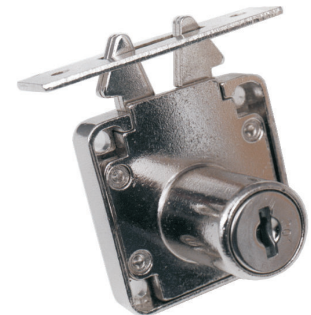
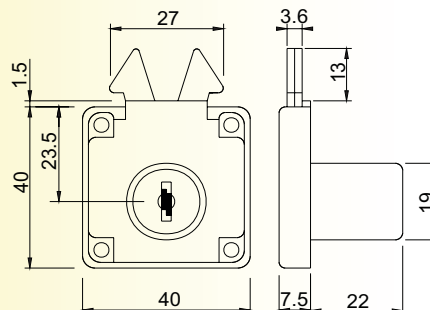
**ITEM NO:** 139  
**MATERIAL:** zinc die cast body & cylinder  
**SECURITY LEVEL:** 5 disc tumbler / wafer  
 170 key changes, K/A, K/D  
**FINISHES:** nickel  
**PACKAGING:** 2 brass keys, 1 cylinder ring  
**SUITABLE FOR:** 15/16" (22mm) thickness  
**DRILL HOLE SIZE:** " (19mm) without rosette 13/16" (20mm) with the rosette  
**DEAD BOLT TRAVEL:** 10/16" (17mm)  
**CYLINDER:** length 1-5/16" (32mm) can be special order



## SHUTTER LOCK

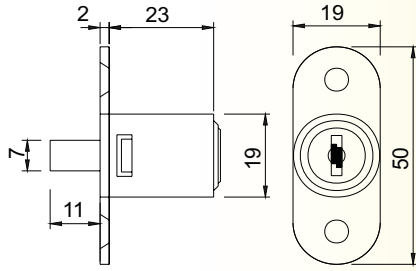
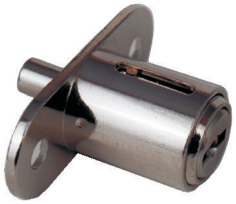
202

**ITEM NO:** 202  
**MATERIAL:** zinc die cast body & cylinder  
**SECURITY LEVEL:** 5 disc tumbler / wafer  
 170 key changes, K/A, K/D  
**FINISHES:** nickel, brass  
**PACKAGING:** 2 brass keys, 1 cylinder ring, 1 striker plate (A1003)  
**FEATURE:** no drill hole required  
 cylinder can be used as knob.  
**SUITABLE FOR:** " (13mm) to " (19mm) material thickness  
**DRILL HOLE SIZE:** " (19mm) without rosette, 13/16" (20mm) with rosette  
**DEAD BOLT TRAVEL:** 5/16" (8mm)



105

## PUSH LOCK



ITEM NO: 105

MATERIAL: zinc die cast body &amp; cylinder

SECURITY LEVEL: 5 disc tumbler / wafer

170 key changes, K/A, K/D

FINISHES: nickel, brass

PACKAGING: 2 brass keys, 1 cylinder ring

SUITABLE FOR: up to 15/16" (23mm) thickness

DRILL HOLE SIZE: " (19mm) for metal  
showcase tracks, 13/16" (20mm) with rosette  
for wood application

NOTE: Extension pin can be special ordered

## TWO DRAWER GANG LOCK

110

ITEM NO: 110

MATERIAL: zinc die cast body &amp; cylinder

SECURITY LEVEL: 5 disc tumbler / wafer

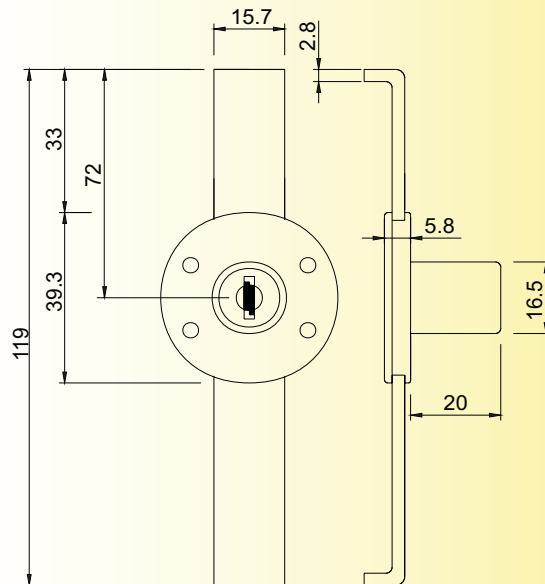
170 key changes, K/A, K/D

FINISHES: nickel, black

PACKAGING: 2 brass keys, 1 rosette

SUITABLE FOR: up to 13/16 (20mm) thickness

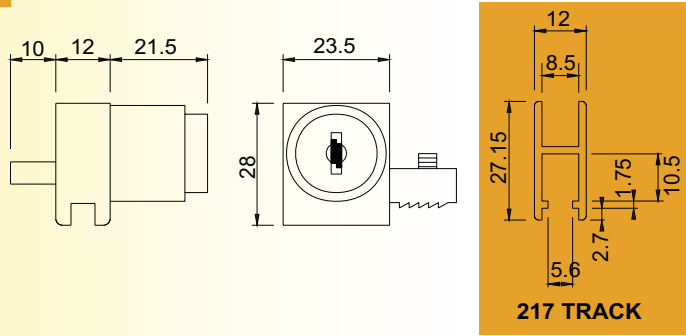
DRILL HOLE SIZE: 17mm



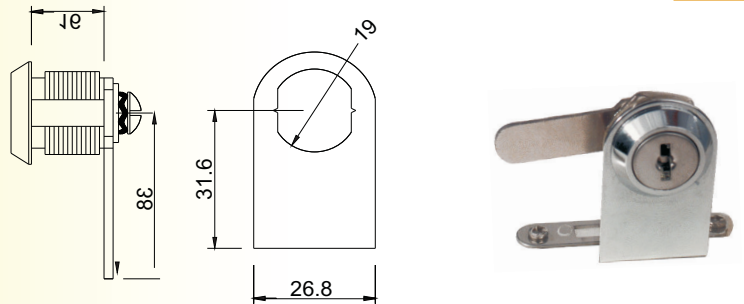
## SHOWCASE TRACK LOCK

217

**ITEM NO:** 217  
**MATERIAL:** zinc die cast body & cylinder  
**SECURITY LEVEL:** 170 key changes, K/A, K/D  
**FINISHES:** chrome, brass  
**PACKAGING:** 2 brass keys  
**SUITABLE FOR:** aluminum track as per diagram



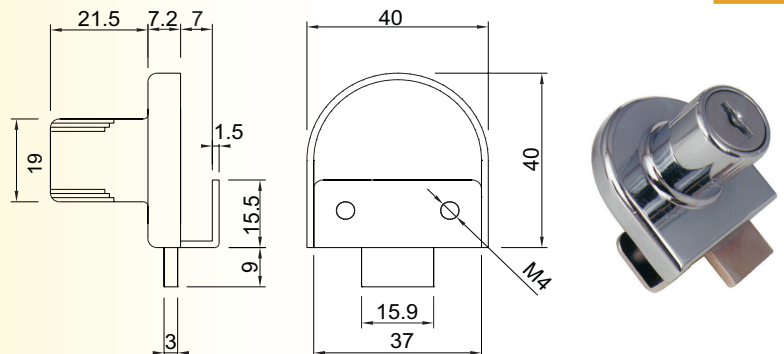
**ITEM NO:** 218  
**MATERIAL:** zinc die cast body & cylinder with stainless steel plate  
**SECURITY LEVEL:** 5 disc tumbler / wafer 170 key changes, K/A, K/D  
**FINISHES:** chrome, brass  
**PACKAGING:** 2 brass keys, 1 hexagon nut 1 cam, 1 steel face plate, 1 plastic washer  
**SUITABLE FOR:** up to 5/16" (8mm) thickness  
**DRILL HOLE SIZE:** " (19mm)



## SWINGING GLASS DOOR LOCK

238

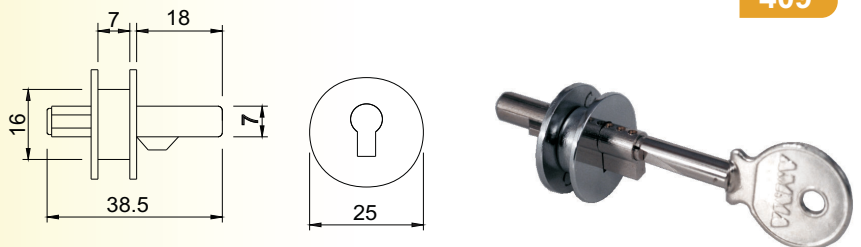
**ITEM NO:** 238  
**MATERIAL:** zinc die cast body & cylinder  
**SECURITY LEVEL:** 170 key changes, K/A, K/D  
**FINISHES:** chrome, brass, black  
**PACKAGING:** 2 brass keys with strike plate  
**FEATURE:** no drill hole required. cylinder can be used as knob.  
**SUITABLE FOR:** " (6mm) glass thickness  
**DEAD BOLT TRAVEL:** 3/8" (9mm)



## SLIDING GLASS DOOR LOCK

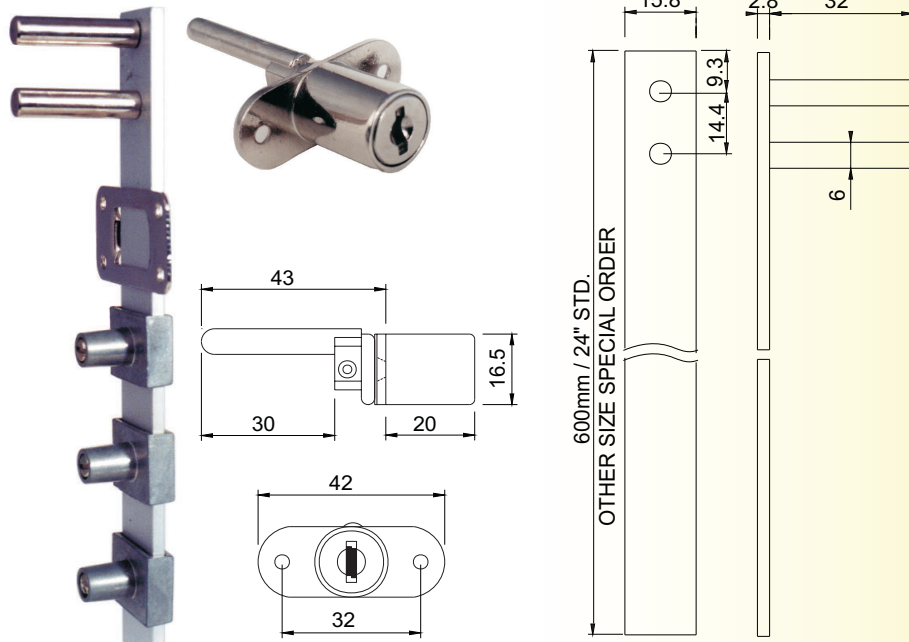
409

**ITEM NO:** 409  
**MATERIAL:** brass cylinder with zinc casing  
**KEY CODE:** 901, 902, 903, 904, 978  
**FINISHES:** chrome  
**PACKAGING:** 2 keys with locking case 2 rubber washers and screws  
**SUITABLE FOR:** 5-8mm glass thickness  
**DRILL HOLE SIZE:** " (19mm)



288

## FRONTAL MOUNT CENTRAL LOCK



**ITEM NO:** 288  
**MATERIAL:** zinc die cast body & cylinder  
**SECURITY LEVEL:** 170 key changes. K/A, K/D  
**FINISHES:** black, nickel  
**PACKAGING:** 2 brass keys, 1 rosette  
 3 pegs, 2 bar guides  
**LOCK BAR:** aluminum solid bar with length  
 600mm  
**PEG:** peg 10mm  
**SUITABLE FOR:** up to 13/16" (20mm) thickness  
**DRILL HOLE SIZE:** 17mm

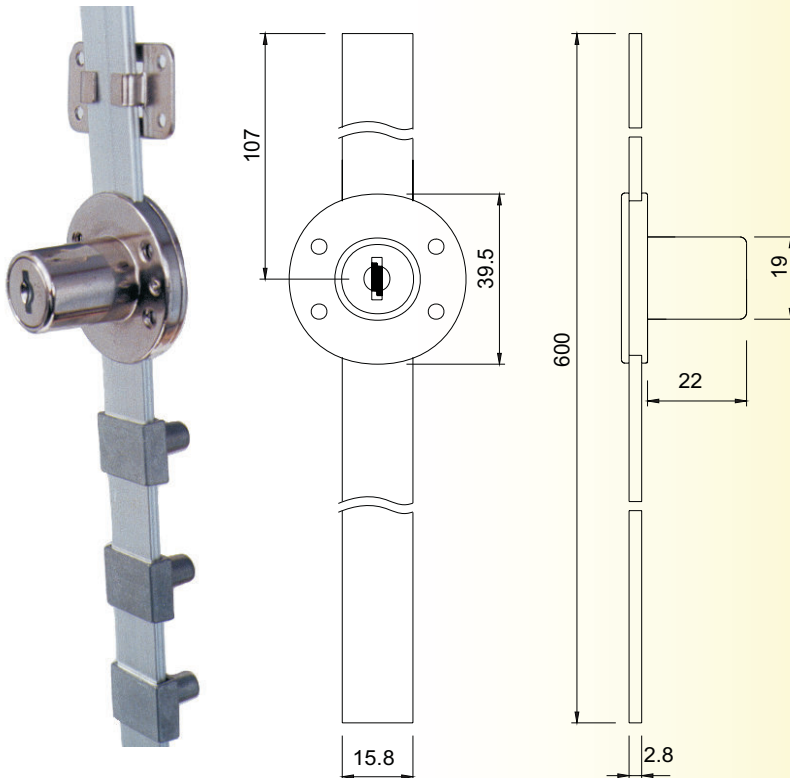
## STAND ACCESSORIES

ITEM NO: Bag S- 10

PART NAME	PC
Bar guide	2
Peg	3
Screw	3

107

## SIDE MOUNTED GANG / CENTRAL LOCK



**ITEM:** 107  
**MATERIAL:** zinc die cast body & cylinder  
**SECURITY Level:** 170 key changes, K/A, K/D  
**FINISHES:** nickel  
**PACKAGING:** 2 brass keys, 1 rosette,  
 3 pegs, 2 bar guides  
**LOCK BAR:** aluminum solid bar with length  
 600mm  
**PEG:** peg 10mm  
**SUITABLE FOR:** " (19mm) to 7/8" (22mm)  
**DRILL HOLE SIZE:** " (19mm) without  
 rosette, 13/16" (20mm) with rosette  
**D16.5XL20 TO BE SPECIAL ORDER**

## STAND ACCESSORIES

ITEM NO: Bag S- 10

PART NAME	PC
Bar guide	2
Peg	3
Screw	3



**LOCK HARDWARE**

526 Gordon Baker Rd., Toronto, ON, Canada, M2H 3B4; Tel: (416) 849-76

USD 3.00